

With Hydra-Stop equipment you can isolate for repair or replacement of valves and hydrants on any commonly used pipe – cast iron, asbestos cement, steel, ductile iron and plastic PVC – with accuracy and reliability.

The Hydra-Stop System offers these advantages:

- Patented “stopper” technology including cylindrical and bullet shapes. See page 2.
- 1/3 the cost of other traditional methods.
- Durable, high technology lightweight castings for ease of handling.
- Advance design eliminates complicated field operations.
- Rated up to 1600kPa depending on model.
- Guaranteed 95% to 100% water stop achieved at the point of repair.
- No loss of fire protection due to system shutdown.
- Rugged, yet easy to operate with fast, accurate tapping and Hydra-Stopping.
- Line stopping available in sizes ranging from 200mm to 500mm using our HydraStop system. Line stopping of smaller pipes (80mm to 150mm) also available utilising our patented AquaStop™ process.



225mm HydraStop at Eagle Point, VIC



300mm HydraStop at Cronulla, NSW

Complete Tapping Service' innovative Hydra-Stopping System provides new solutions to old distribution system problems.

This unique Hydra-Stop technique eliminates the need to employ obsolete and costly methods of dealing with valve and hydrant problems, as well as the general maintenance of water or other liquid distribution systems used by municipalities and industrial plant networks. It eliminates complete water system shutdowns that create major service disruptions while needed repair or replacement work is being done.

This is a very important consideration. For instance, hospitals need water to operate. They simply cannot function without it and a lack of water could lead to potentially hazardous situations.

Manufacturing plants that use water in their operations can be forced to shut down until interrupted main water service is restored. Delayed production, late product deliveries and idle employees take their toll. Fire departments, as a final example, are helpless without an assured water supply and main system shutdowns are extremely dangerous.

This situation can also increase fire insurance rates in an affected area. Any of these conditions raises the question of negligence litigation, another irritating and expensive possibility. Guaranteed 24-hour water service is important to everyone. The Hydra-Stop System, as an integral part of your maintenance plan, can make it an inexpensive reality.

Ordinary methods are time consuming and costly, not only from repair man-hour costs, but, also from lost revenues. Simply stated, when water flow stops, revenue stops.

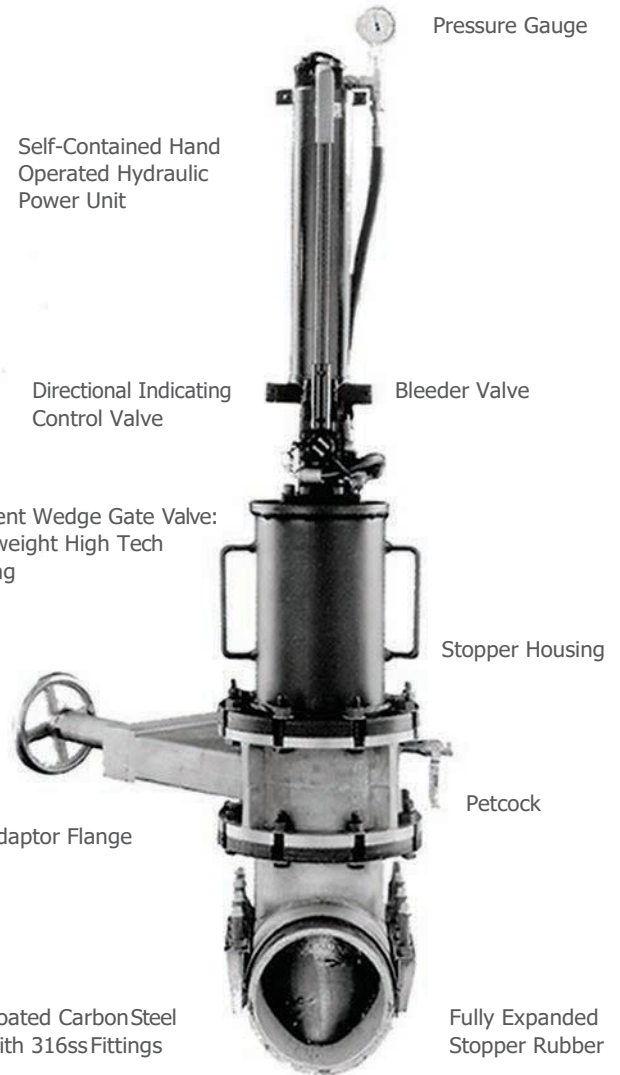
Hydra-Stop's technique is efficiency in motion. Two engineers can stop the flow of water in a repair area and replace vital liquid distribution components in less than one-third the time required for conventional methods.

Hydra-Stopping significantly reduces maintenance labor, often eliminating overtime premiums and cutting repair and maintenance costs in half.

HYDRA-STOPPING™ Interchangeable Heads

Benefits derived from HYDRA-STOPPING™

- No customers out of service
- No incurred (potentially) liability
- No loss of water (thousands of litres)
- No water meter damage
- Setup isolation zones in case of contamination
- No over time paid
- No loss of revenue
- No valve location or breakage
- Prevents backflow
- Creates safe working conditions in a trench



Self-Contained Hand Operated Hydraulic Power Unit

Directional Indicating Control Valve

Bleeder Valve

Resilient Wedge Gate Valve: Lightweight High Tech Casting

Stopper Housing

Petcock

Adaptor Flange

Coated Carbon Steel with 316ss Fittings

Fully Expanded Stopper Rubber



Lightweight Tapping Machine Converted to Completion Machine



8" - 20" (200mm - 500mm) Lightweight Tapping Machine



8" - 20" (200mm - 500mm) Hydra-Stop Machine

Expandable stoppers for water use in cast and ductile iron, PVC and steel pipe.

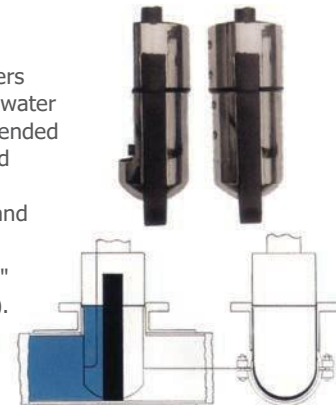
Size range: 8" - 20" (200mm - 500mm).

Rate to 250 PSI (17bar). Larger sizes available.



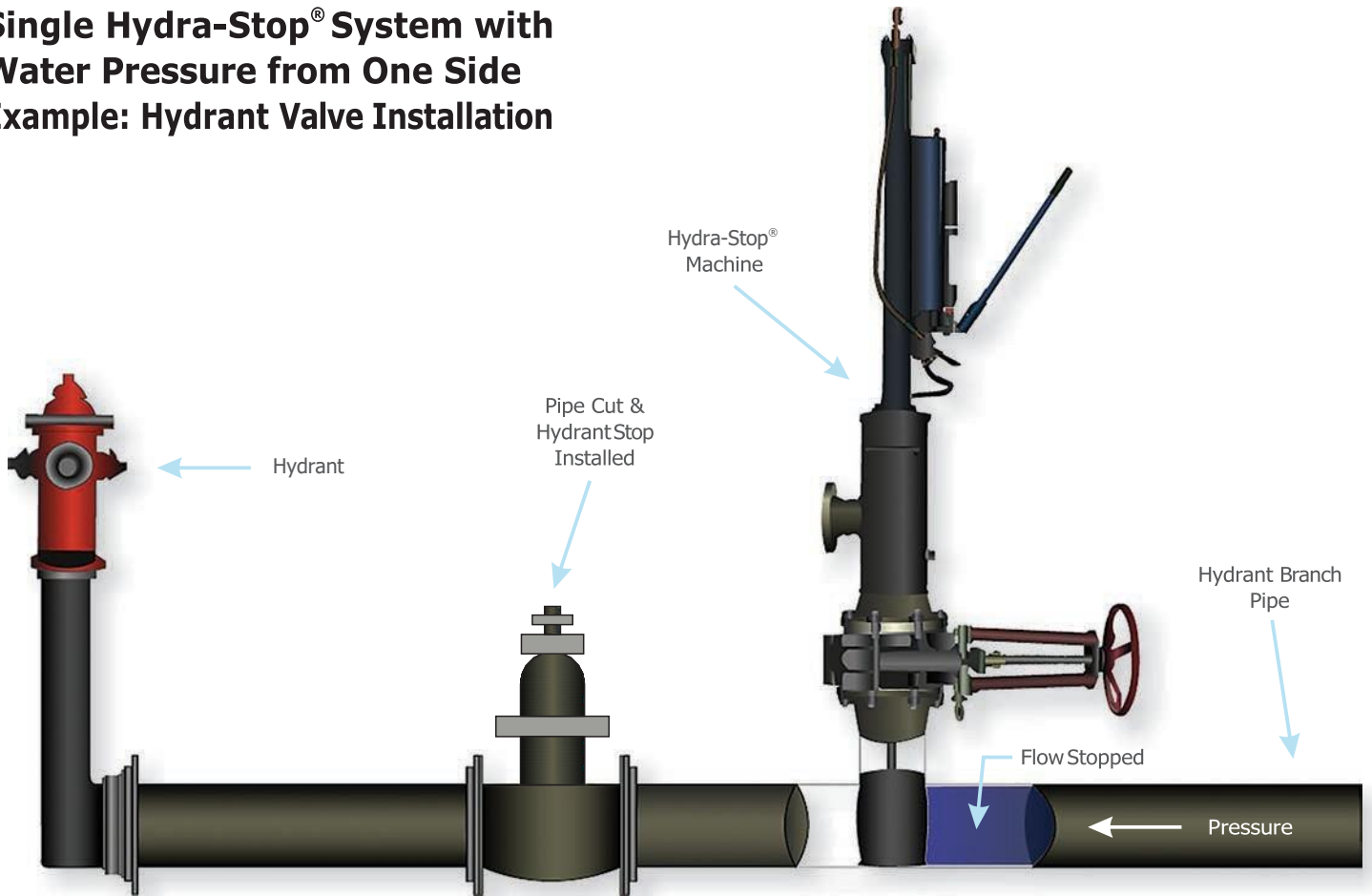
Expandable stoppers developed for the water industry. Recommended for use on cast and ductile iron, PVC, asbestos cement and steel pipe.

Size range: 8" - 20" (200mm - 500mm).



Single Hydra-Stop® System with Water Pressure from One Side

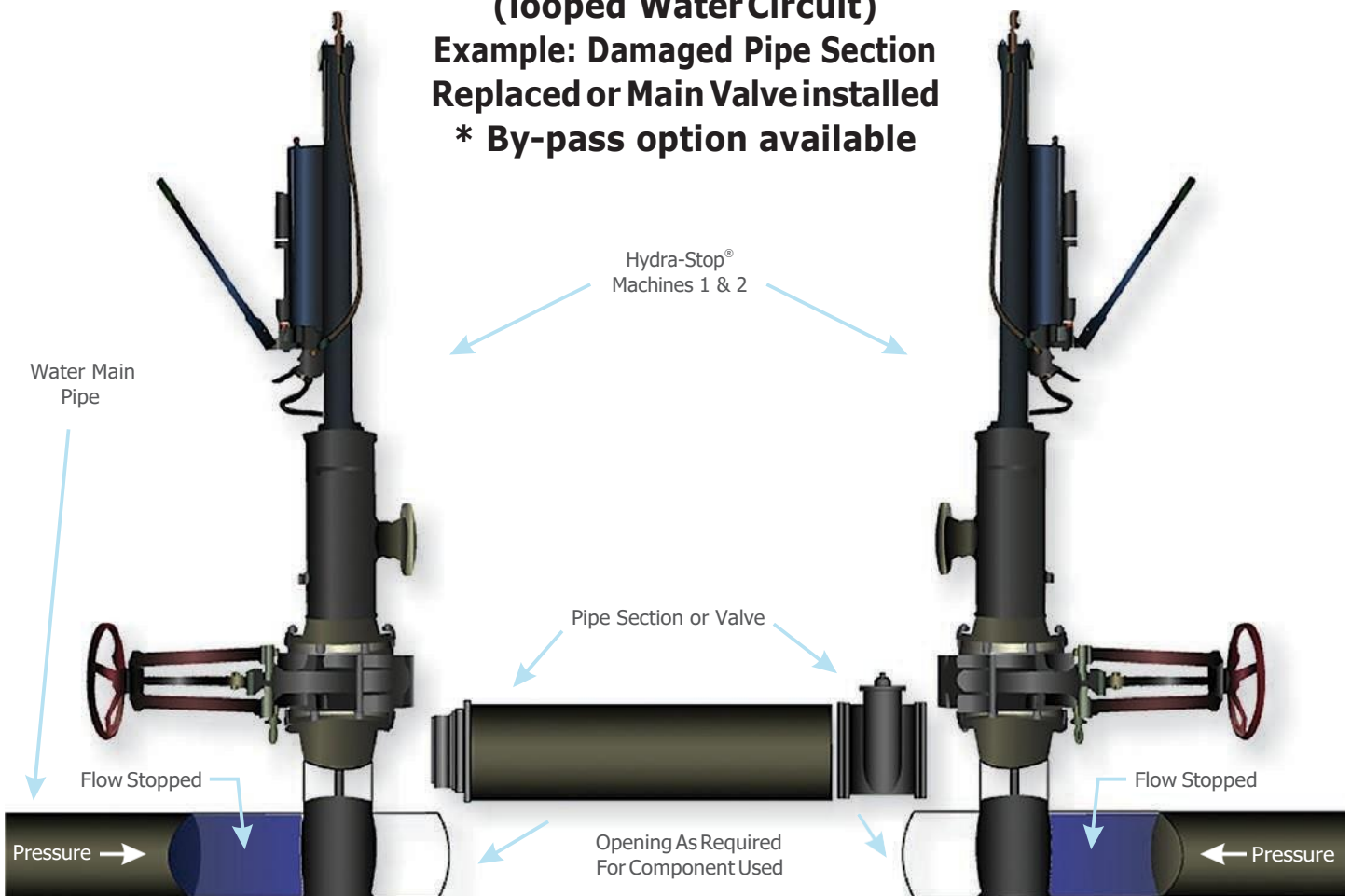
Example: Hydrant Valve Installation



Double Hydra-Stop® System with Water Pressure from Two Sides

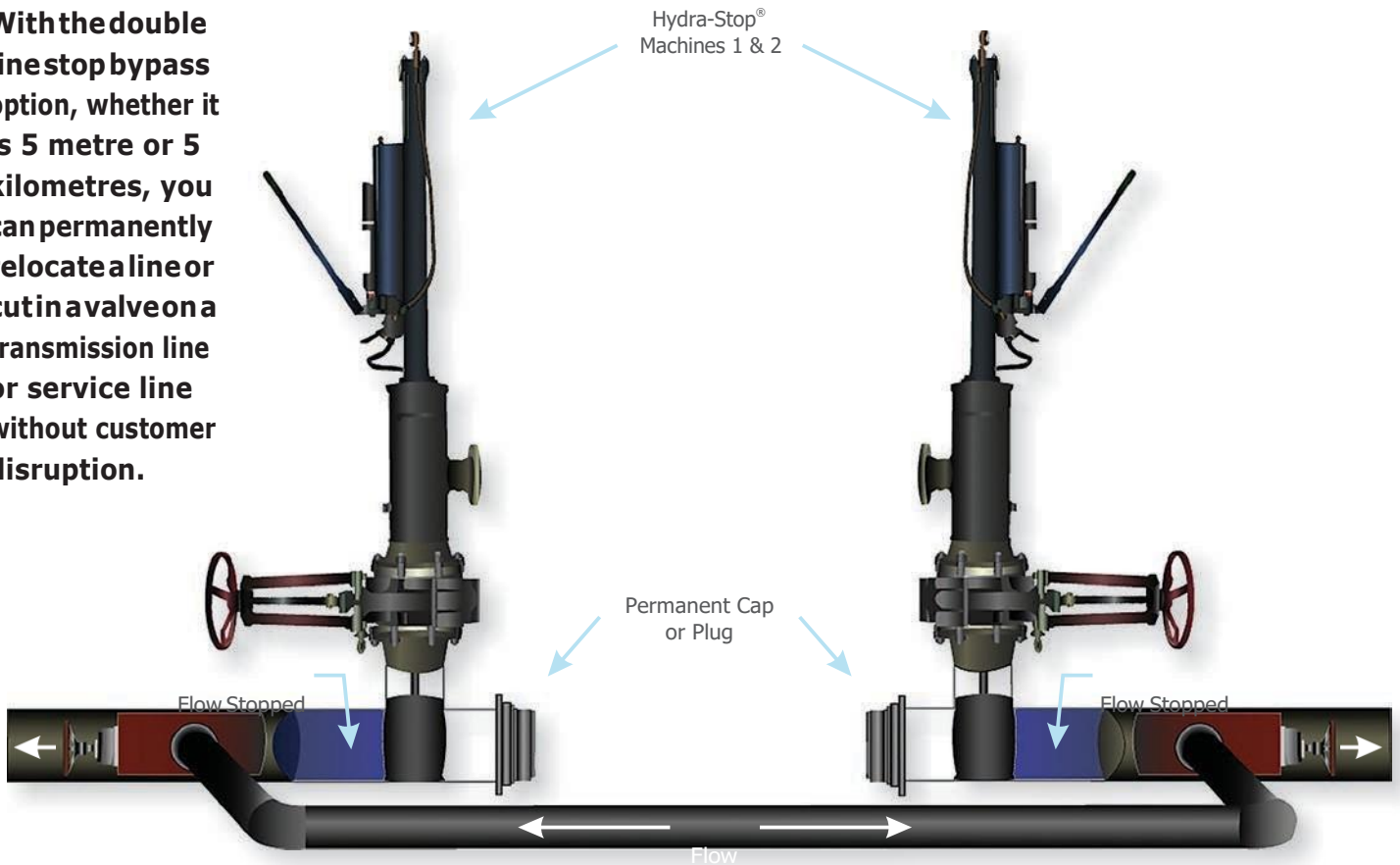
(looped Water Circuit)

Example: Damaged Pipe Section Replaced or Main Valve installed
* By-pass option available



Double Hydra-Stop® System with bypass option

With the double linestop bypass option, whether it is 5 metre or 5 kilometres, you can permanently relocate a line or cut in a valve on a transmission line or service line without customer disruption.



Main Line Tapped, Stopped, Section Removed and Open Ends Permanently Capped

Standard Set Up & Standard Fittings Used for Line Stopping mains 200mm – 500mm

Carbon Steel
Hydra-Stop® Fitting



Typical Hydra-Stop®
Fitting For Mains
200mm and above.



Hydra-Stop® 300mm Cronulla, NSW



For further information and orders, please contact:

Victoria - Head Office
105 Atlantic Drive
Keysborough Vic 3173
p: (03) 9769 0218
f: (03) 9769 0219

New South Wales
p: (02) 4988 6299
f: (02) 4988 6263

Queensland
p: 0418 197 545
FNQ
p: 0428 559 989

South Australia
p: (08) 8558 3808
f: (08) 8558 3896

Tasmania
p: (03) 6394 4663
m: 0418 921 938

Western Australia
p: (08) 9244 4622
f: (08) 9204 4666

Expect... **AVR**